

Fire



DATA
SHEET

Analogue Sounder Base

CAS380 / MAS850 / FXN538LBS

COOPER

The CAS380, MAS850 and FXN538LBS are loop-powered integrated sounder and sensor mounting bases.

They can be used with any analogue sensor or as a standalone sounder with the optional respective CASC / MASC cover plate.

Benefits and Features

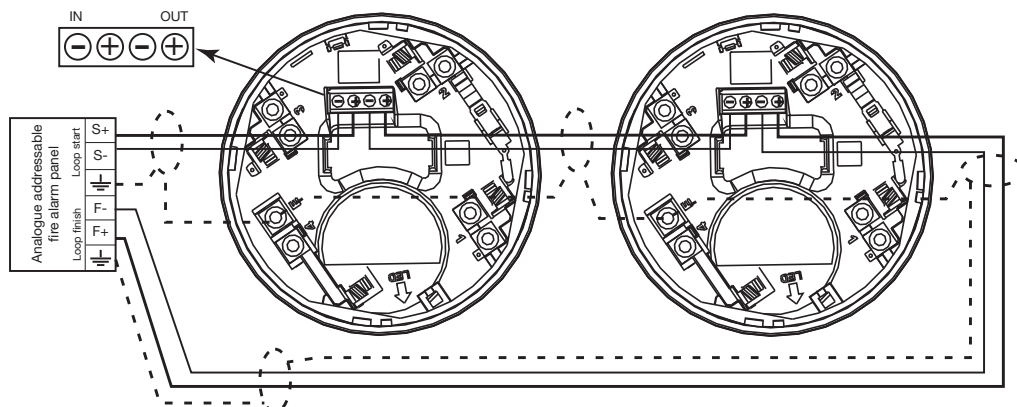
- > Integral detector mounting base
- > Can be used with a sensor as a base sounder or without a sensor as a stand alone sounder
- > Selectable tones controlled by the panel
- > Adjustable volume controlled by the panel
- > Optional cover plates available (CASC / MASC - pack of 5)



Technical Specifications

Model	CAS380 / MAS850 / FXN538LBS
Description	Analogue sounder base
Standards	EN54: Pt 3; 2005
CPD approval	0832CPD0155
Operating voltage	17 to 32V dc
Tones (set by panels)	Continuous: 910Hz Pulsed: 910 / 0Hz @ 1Hz Two tone: 610 / 910Hz @ 1Hz cycle Slow whoop
Sound output (set by panel) +/- 3 dB	Low volume: 84 dB Medium volume: 92 dB High volume: 95 dB
Current consumption	Low volume: <2mA Medium volume: <3mA High volume: <6mA
Standby current	<320µA
Environmental	IP40. -10°C to +55°C (95% RH)
Physical	
Construction	ABS
Colour	White
Dimensions (Dia x D)	102mm x 40mm
Weight	0.2kg
Compatibility	Analogue fire systems

Wiring Diagram



Product Codes

Analogue sounder base	CAS380 / MAS850 / FXN538LBS
Accessories	
Cover plate - pack of 5	CASC /MASC

Cooper Lighting and Safety

Wheatley Hall Road, Doncaster, South Yorkshire DN2 4NB

www.cooperfire.com

Sales

T: +44 (0)1302 303 999
F: +44 (0)1302 303 333
E: sales@cooperfire.com

Technical

T: +44 (0)1302 303 350
F: +44 (0)1302 303 332
E: techsupport@cooperfire.com

Export

T: +44 (0)1302 303 344
F: +44 (0)1302 303 345
E: export@cooperfire.com